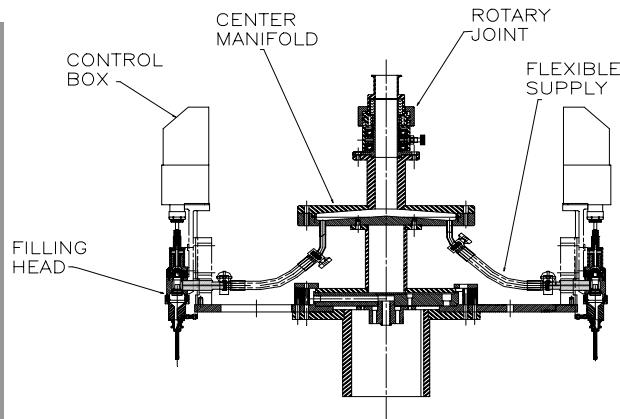


P.O. Box 308
 Accord, MA 02018-0308
 Office Phone: 781-749-1866
 Office Fax: 781-749-7886
 E-mail: info@dtmpackaging.com
 Web: www.dtmpackaging.com

Sanitary Supply Conversion for Pneumatic Scale Pneumaflow Fillers



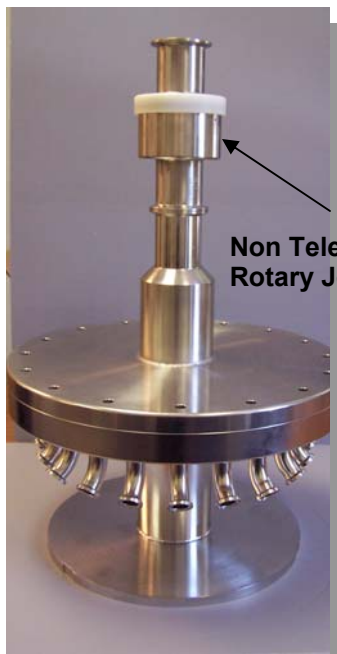
Packaging/Bottling Machinery and Engineering Services



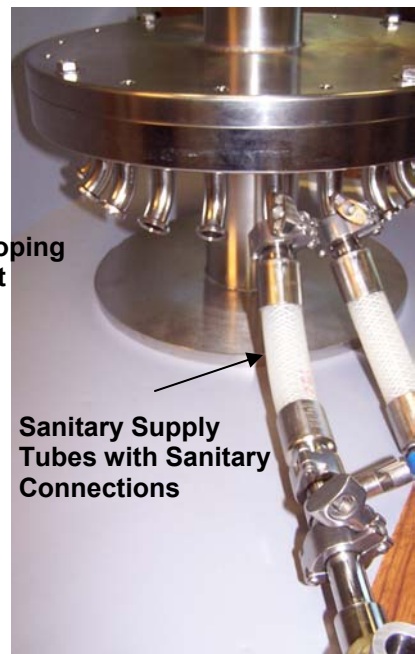
Sanitary Flexible Overhead Supply Connection



Non Telescoping Rotary Joint



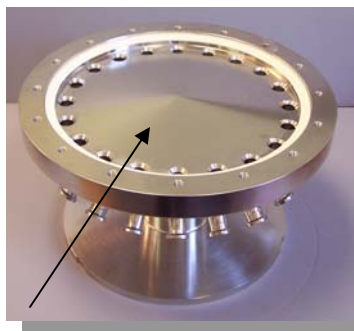
Sanitary Supply Tubes with Sanitary Connections



Bottom Supply w/Sanitary Connections to eliminate O'rings



Sloped Self Draining Manifold Design



Non Telescoping Sanitary Design Product Supply Rotary Joint

